

Cable Fixing Accessories Edge Clip

Features and Benefits

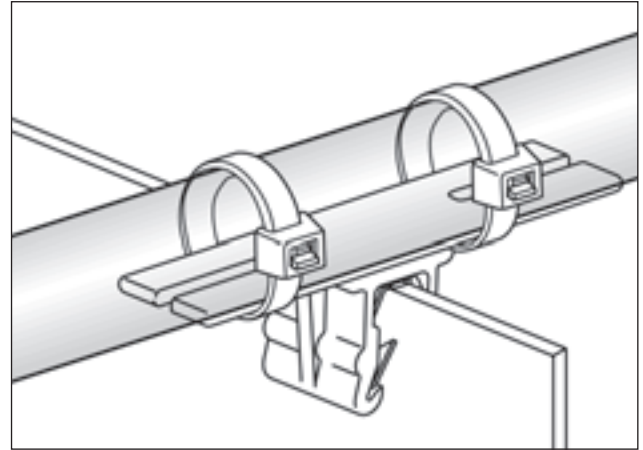
Edge Clip mounting solutions stand out for the ease with which they can be fitted. They are installed simply by pressing onto a plastic or metal edge. EC7 cables and leads can be located by simply laying them into the holder. EC14 to EC17 cables can be fastened to the cable bundle by using a cable tie or adhesive tape to the bars of the mounting element.

Application

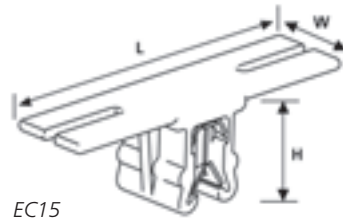
These elements are used, for example, in the automotive industry and electrical industry and wherever it is impossible to drill holes or no other fixing points are available.

Material Data

RoHS	Material	Polyamide 6.6 High Impact Modified, Heat Stabilised (PA66HIRHS)
	Colour	Black (BK)
	Operating Temperature	-40°C to +105°C
	Flammability	UL94 HB



Cables and leads can be fastened with a cable tie or adhesive tape to the bars of the mounting element.



EC15

Technical Table

Code	Length (L)	Width (W)	Height (H)	Bundle Ø max.	Panel Thickness min.	Panel Thickness max.	Drawing
EC7	24.4	10.0	–	13.5	1.0	3.0	
EC14	40.0	10.0	12.4	–	1.0	3.0	
EC15	40.0	10.0	12.4	–	1.0	3.0	
EC16	40.0	10.0	13.0	–	1.0	3.0	
EC17	46.5	10.0	13.0	–	1.0	3.0	

All dimensions in mm. Subject to technical changes.